

PERSONNEL SAFETY NET ASSEMBLY AND INSTALLATION



Safety Net installation

Secure the net to the external and internal cables with the attached metal net snap hooks. Attach only the outermost corners of the net system to the support eye.

Match each color coded side to the adjoining net. Red to Yellow and Blue to Green. This will provide a series of alternating attachment points every 2 feet.

Safety Net Deployment

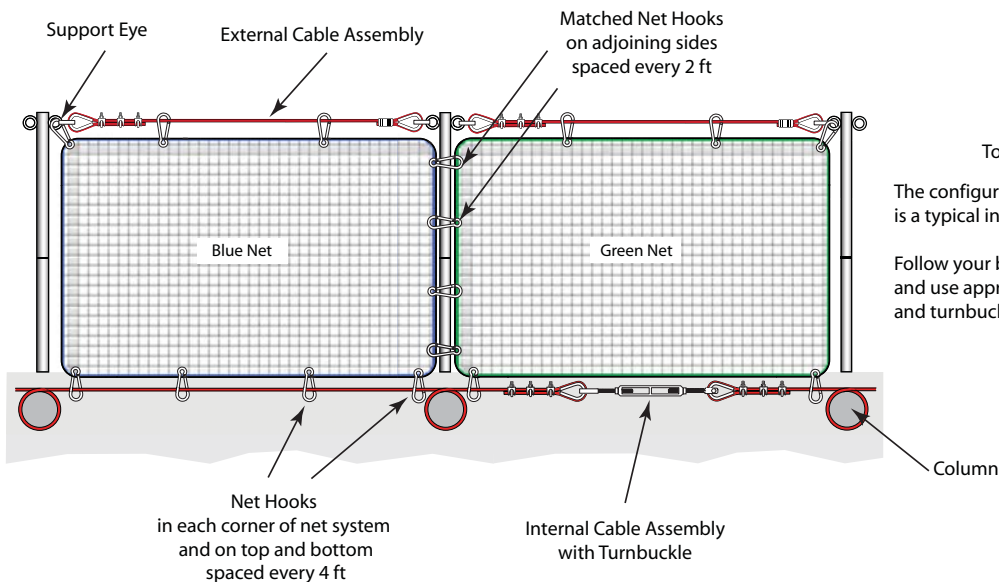
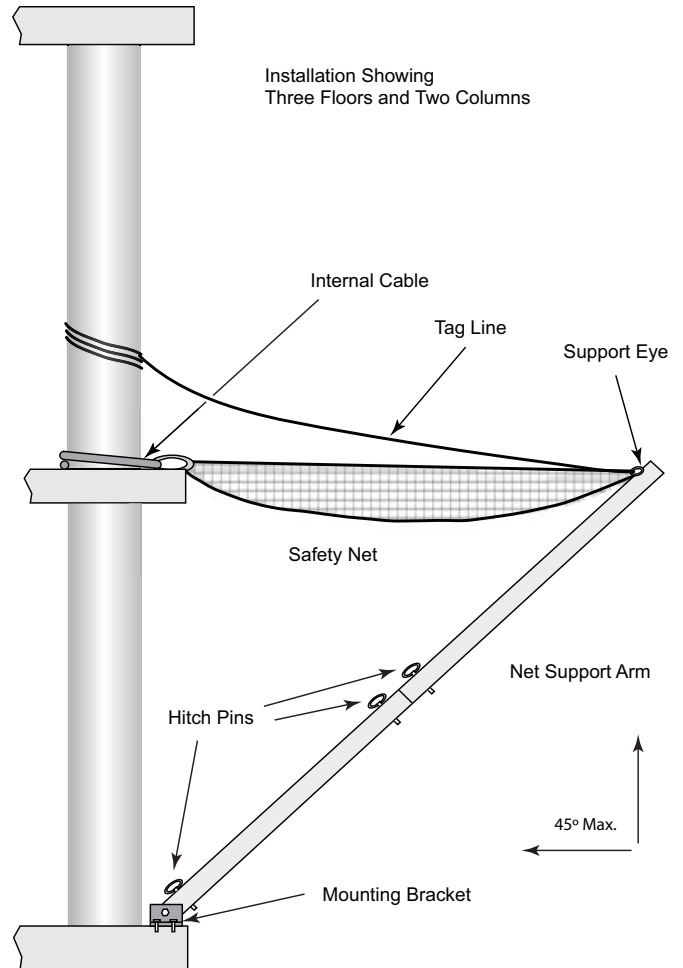
Lower the net arms using the attached tag lines to the full extent of the netting, approximately 15 feet. Tie off the tag lines to a support column.

Note: The tag lines are used only to deploy and retrieve the net arms and are not used for system support. Leave slack in tied off tag lines.

Caution: Arms are held at maximum angle of 45 degrees. If the net arms are deployed beyond this point the strength and function of the safety net system will be compromised. Check installation dimensions.

Make all necessary adjustments to the support arms and their placement to assure that the rope border of the safety net is taut and proper support arm angle is maintained. There must be sufficient sag in the center of the net to absorb and arrest a fall without injury.

Always consult a structural engineer when deviating from a planned installation.



Top View
The configuration shown in this example is a typical installation.
Follow your blue print and use appropriate hardware and turnbuckles where indicated.